

## KD3- H040F28i 4MP HD-CVI IR Indoor Eyeball Dome Camera



### DESCRIPTION

The KD3-H040Fxxi Ultrakpa series of professional HD indoor eyeball dome cameras; incorporating a 4MP 1/2.7-type CMOS image sensor providing smooth, outstanding crisply detailed vibrant images, smart IR up to 20 meters to assure that every detail is seen clearly even in low lighting conditions making it ideal for professional video display in addition to surveillance applications.

The KD3-H040Fxxi cameras support CVI/ TVI/AHD/CVBS switchable outputs, 2D noise reduction, digital wide dynamic range, backlight compensation, highlight compensation, day and night (ICR), automatic gain control, auto white balance and much more.

The KD3-H040Fxxi cameras provide high quality image video compression; coming in compact decorative enclosure perfect for any indoor security applications with 12VDC.

### MAIN APPLICATIONS

- Security applications providing safe indoor working, living and entertaining environments thanks to the small compact decorative design
- Professional Video Display Applications with coaxial network

### MAIN FEATURES

- **4MP 1/2.7" CMOS Sensor**
- **2560x1440**
- **Day & Night (ICR)**
- **DWDR**
- **HLC, BLC**
- **2D Digital Noise Reduction**
- **Multi Language OSD Menu**
- **Smart IR up to 20m**
- **Progressive Scan**
- **Multiple Format Switchable Outputs**

## KD3-H040F28i 4MP HD-CVI IR Indoor Eyeball Dome Camera

### TECHNICAL SPECIFICATIONS

#### CAMERA

Image Sensor	1/2.7" 4MP Progressive CMOS Sensor
Active Pixels	2560(H) x 1440(V)
Frame Rate	CVI/TVI/AHD: 4MP@30/25fps/1080P@30/25fps CVBS: 960H @30/25fps
Min Illumination	0.04lux @F2.0
IR Control	Manual/Auto
IR Distance	20 meters (66ft)

#### LENS

Lens Type	Fixed
Focal Length	2.8mm
Focus Control	Fixed
Max.Aperture	F2.0
Angle Of View (H)	105°

#### PAN/TILT

Pan	0°~360°
Tilt	0°~78°
Rotation	0°~360°

#### CAMERA FUNCTIONS

Day & Night	Auto(ICR) / Manual
WDR	DWDR
BLC	Available
HLC	Available
DNR	2D
Smart IR	Available
Gain Control	Manual/Auto
White Balance	Manual /Auto
Electronic Shutter Speed	PAL:1/25~1/100000 sec NTSC:1/30~1/100000 sec
OSD	Available
Audio	Not Available
Alarm	Not Available

#### VIDEO

Video Output	CVI/TVI/AHD/CVBS (Switchable Video Output)
Resolution	4M(2560x1440),1080p(1920x1080), 720P(1280x720)

#### ENVIRONMENT

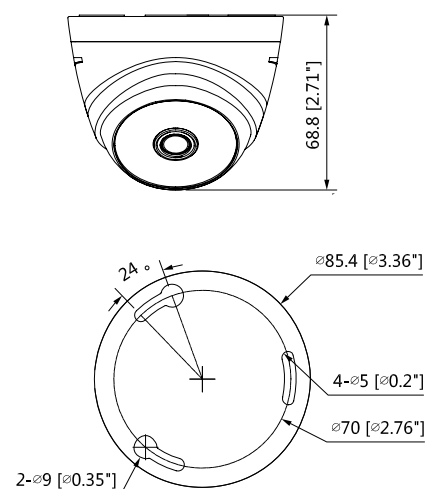
Storage	- 40°C to +55°C, -40F° to 131°F
Operation	- 40°C to +55°C, -40F° to 131°F
Humidity	less than 95%RH
Altitude	3000 meter maximum, 10,000 feet maximum

#### GENERAL

Power Source	DC12V
Power Consumption	2.6W
Ingress Protection	Not Available
Weight	0.2Kg

#### DIMENSIONS

Unit : mm



Conversion: 1" = 25.4mm  
Measurement conversions are approximate



Every effort has been made to ensure that all the information in this document was correct at the time of going to press. However we are constantly striving to improve our range wherever possible and therefore reserve the right to change the specification of any product without prior notice

R&D is constantly improving our products therefore specifications, features and appearance are subjected to change without notice

## ULTRAKPA

For USA, Canada, South America, Europe, Africa & Middle East - info@ultrakpa.com

**ULTRAKPA Inc**

Astoria, NY 11103, U.S.A

Phone +1 (914) 210-1483 info@ultrakpa.com

www.Ultrakpa.com