

KD2-N021F36iW 2MP Network IR WDR Eyeball Dome Camera



DESCRIPTION

The KD2-N021FxxiW series Ultrakpa professional network dome cameras; it incorporates a 2MP 1/2.8-type CMOS image sensor providing smooth, full-HD (1080p/30fps) outstanding crisply detailed vibrant images with extremely low noise making it ideal for professional video security and surveillance applications via intelligent detection: intrusion and tripwire; in addition to tamper detection and event trigger (scene varying, storage problems, network disconnection, illegal access, IP address conflict)

The KD2-N021FxxiW dome cameras support massive features such as motion detection, image flip, True 120dB wide dynamic range, backlight compensation, highlight compensation, day and night (ICR), 3D digital noise reduction, privacy masking for 4 positions, smart IR for 30 meters distance in low luminance or totally dark environments ensuring that every detail is seen clearly

The KD2-N021FxxiW cameras provide high quality image with ultra low bit rate H.264+ and H.265+ video compressions; coming in weatherproof IP67 outdoor compact enclosure with 12V DC and POE operations

MAIN APPLICATIONS

- Professional Video Surveillance Applications in small to medium sized rooms, offices, meeting rooms that requires intelligent analysis
- Indoor and Outdoor Applications thanks to the small size compact decorative design and the IP67 Ingress Protection

MAIN FEATURES

- 2MP 1/2.8" CMOS sensor
- 1920x1080p@25/30fps
- Day & Night (ICR)
- HLC, BLC
- Digital Noise Reduction (3D)
- Privacy Mask Function
- Intelligent Analysis
- 120dB WDR
- Electronic Image Stabilization
- Region of Interest
- H.264/H.265 Compressions
- Smart IR LED (30m)
- Image Flip
- 12VDC/POE
- ONVIF Compliant
- IP67

KD2-N021F36iW 2MP Network IR WDR Eyeball Camera

TECHNICAL SPECIFICATIONS

CAMERA

Image Sensor	1/2.8" 2MP Progressive CMOS Sensor
Active Pixels	1920(H) x 1080(V) = 2.07M Pixels
Frame Rate	Main Stream: 1080p@1fps-30/25fps Sub Stream: D1@1fps-30/25fps
Min Illumination	0.009lux @F2.0
IR Control	Manual/Auto
IR Distance	30 meters (98.4ft)
Pan/Tilt /Rotation	Horizontal 0°~360° Vertical 0°~90° Rotation 0°~360°

LENS

Lens Type	Fixed
Focal Length	3.6mm
Max. Aperture	F1.6
Close Focus Distance	0.9m (3.0 ft)
Angle Of View	2.8mm 105° 59°
H,V	3.6mm 82° 47°

VIDEO

Video Compression	H.265, H.264H, MJPEG (Sub Stream)
Smart CODEC	Available (H.265+, H.264+)
Stream Capability	Dual Streaming
Resolution	1080p(1920x1080), 1.3M(1280x960), 720P(1280x720), D1(704x576/480), VGA (640x480), CIF (352x288/240)
Bit Rate Control	CBR/VBR
Video Bit Rate	H.264: 32K~10240Kbps, H.265: 12K~6400Kbps
Intelligent Analysis	Tripwire, Intrusion
Event Trigger	Motion Detection, Illegal Access, Video Tampering, Scene Varying, Network Disconnection, Storage Problems, IP Address Conflict

CAMERA FUNCTIONS

Day & Night	Auto(ICR) / Color / B/W
BLC Mode	BLC/HLC/120 dB WDR
DNR	3D
Digital Zoom	16x
Privacy Mask	Off / On (4 positions)
Gain Control	Manual/Auto
White Balance	Auto /Natural /Street Lamp / Outdoor / Manual
Region of Interest	Available (4 positions)
Motion Detection	Available (4 positions)
Electronic Shutter Speed	Auto/Manual 1/3~1/100000 sec
Smart IR	Available
Mirror	Available



Every effort has been made to ensure that all the information in this document was correct at the time of going to press. However we are constantly striving to improve our range wherever possible and therefore reserve the right to change the specification of any product without prior notice

R&D is constantly improving our products therefore specifications, features and appearance are subjected to change without notice

ULTRAKPA

For USA, Canada, South America, Europe, Africa & Middle East - info@ultrakpa.com

NETWORK

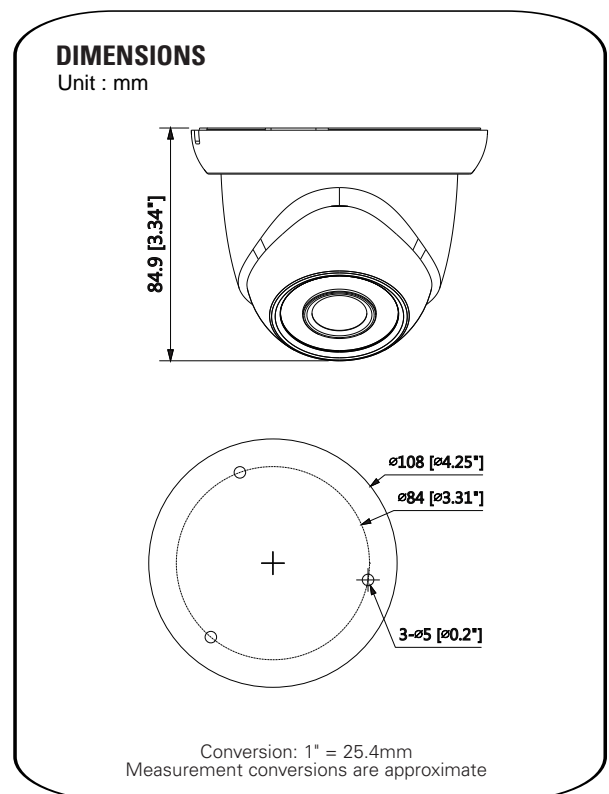
Network	RJ-45 (10/100Base-T)
Users	Up to 10/20
Protocol	IPv4, IPv6, HTTP, HTTPS, TCP, UDP, ARP, RTP, RTSP, RTCP, SMTP, FTP, DNS, DDNS, QoS, UPnP, NTP, TLS, ICMP, IGMP Multicast, PPPoE, IEEE802.1x, Bonjour
Browser	IE, Chrome, Firefox
Mobile Phone	IOS, Android
Compatibility	ONVIF (Profile S, Profile G), API

ENVIRONMENT

Storage	-30°C to +60°C, -22°F to 140°F
Operation	-30°C to +60°C, -22°F to 140°F
Humidity	80%RH (non condensing) less than 95% (non condensing)
Altitude	3000 meter maximum, 10,000 feet maximum

GENERAL

Power Source	DC12V /POE (802.3af Class0)
Power Consumption	4.9W
Ingress Protection	IP67
Weight	0.387Kg



ULTRAKPA Inc

Astoria, NY 11103, U.S.A

Phone +1 (914) 210-1483 info@ultrakpa.com

www.Ultrakpa.com