

KD3-N021F28i 2MP Network IR Eyeball Dome Camera



DESCRIPTION

The KD3-N021Fxxi series is the entry level of Ultrakpa series of professional network cameras it incorporates a 2MP 1/2.7-type CMOS image sensor providing smooth, full-HD (1080p/30fps) outstanding crisply detailed vibrant images with extremely low noise making it ideal for professional video security and surveillance applications via various detection modes (network disconnection, IP conflict, video tampering, illegal access)

KD3-N021Fxxi dome cameras support massive features such as motion detection, image flip, digital wide dynamic range, backlight compensation, highlight compensation, day and night (ICR), 3D digital noise reduction, privacy masking for 4 positions, smart IR for 30 meters distance in low luminance or totally dark environments ensuring that every detail is seen clearly

The KD3-N021Fxxi cameras provide high quality image with ultra low bit rate H.264+ and H.265+ video compressions; coming in weatherproof IP67 outdoor compact enclosure with 12V DC and POE operations

MAIN APPLICATIONS

- Video Surveillance Applications in small to medium sized rooms, offices, meeting rooms
- Indoor and Outdoor Applications thanks to the small size compact decorative design and the IP67 Ingress Protection

MAIN FEATURES

- **2MP 1/2.7" CMOS sensor**
- **1920x1080p@25/30fps**
- **Day & Night (ICR)**
- **DWDR, HLC, BLC**
- **Digital Noise Reduction (3D)**
- **Privacy Mask Function**
- **Electronic Image Stabilization**
- **Various Detection Modes**
- **Digital Watermark**
- **Region of Interest**
- **H.264/H.265 Compressions**
- **Smart IR LED (30m)**
- **Image Flip**
- **12VDC/POE**
- **ONVIF Compliant**
- **IP67**

KD3-N021F28i 2MP Network IR Eyeball Dome Camera

TECHNICAL SPECIFICATIONS

CAMERA

Image Sensor	1/2.7" 2MP Progressive CMOS Sensor		
Active Pixels	1920(H) x 1080(V) = 2.07M Pixels		
Frame Rate	Main Stream: 1080p@1fps-30/25fps Sub Stream: D1@1fps-30/25fps		
Min Illumination	0.01lux @F2.0		
IR Control	Manual/Auto		
IR Distance	30 meters (98.4ft)		
Pan/Tilt /Rotation	Horizontal 0°~355° Vertical 0°~78° Rotation 0°~360°		

LENS

Lens Type	Fixed			
Focal Length	2.8mm			
Max. Aperture	F2.0			
Close Focus Distance	0.5m (1.6ft) / 0.9m (3.0 ft)			
Angle Of View	2.8mm	125°	105°	57°
D, H,V	3.6mm	104°	87°	47°

VIDEO

Video Compression	H.265, H.264, H.264H, H.264B, MJPEG		
Smart CODEC	Available		
Stream Capability	Dual Streaming		
Resolution	1080p(1920x1080), 1.3M(1280x960), 720P(1280x720), D1(704x576/480), VGA (640x480), CIF (352x288/240)		
Bit Rate Control	CBR/VBR		
Video Bit Rate	H.264: 32-6144Kbps, H.265: 12-6400Kbps		

CAMERA FUNCTIONS

Day & Night	Auto(ICR) / Color / B/W
WDR	DWDR
BLC	Available
HLC	Available
DNR	3D
Electronic Image Stabilization	Available
Privacy Mask	Off / On (4 positions)
Gain Control	Manual/Auto
White Balance	Auto /Natural /Street Lamp / Outdoor / Manual Regional Custom
Motion Detection	Off / On (4 positions)
Region of Interest	Available (4 positions)
Electronic Shutter Speed	Auto/Manual 1/3~1/100000 sec
Smart IR	Available
Mirror	Available

NETWORK

Network	RJ-45 (10/100Base-T)
Users	Up to 20
Protocol	IPv4, HTTP, HTTPS, TCP, UDP, ARP, RTP, RTSP, SMTP, FTP, DNS, NTP, Multicast
Browser	IE, Chrome, Firefox
Mobile Phone	IOS, Android
Compatibility	ONVIF (Profile G), CGI, P2P, Gentec

ENVIRONMENT

Storage	-40°C to +60°C, -40°F to 140°F
Operation	-40°C to +60°C, -40°F to 140°F
Humidity	80%RH (non condensing) less than 95%(non condensing)
Altitude	3000 meter maximum, 10,000 feet maximum

GENERAL

Power Source	DC12V /POE (802.3af)
Power Consumption	4.3W
Ingress Protection	IP67
Weight	0.37Kg

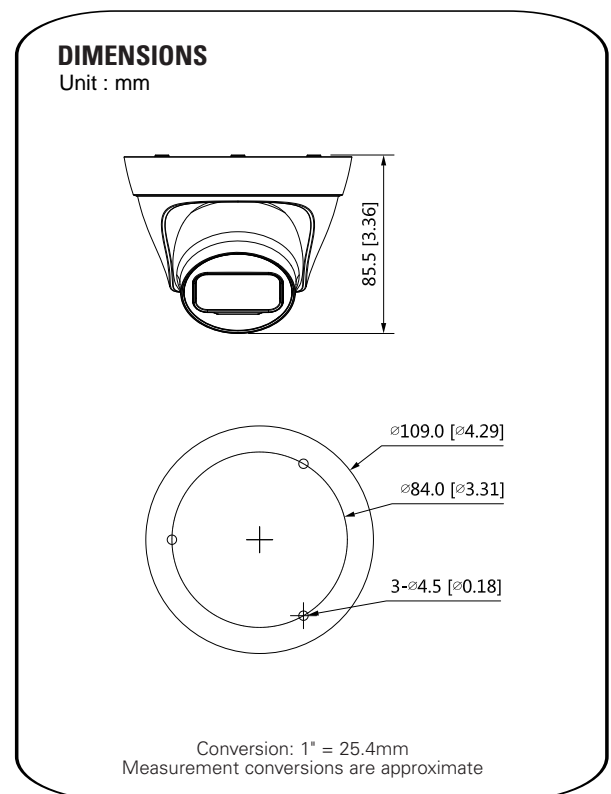


Every effort has been made to ensure that all the information in this document was correct at the time of going to press. However we are constantly striving to improve our range wherever possible and therefore reserve the right to change the specification of any product without prior notice

R&D is constantly improving our products therefore specifications, features and appearance are subjected to change without notice

ULTRAKPA

For USA, Canada, South America, Europe, Africa & Middle East - info@ultrakpa.com



ULTRAKPA Inc

Astoria, NY 11103, U.S.A

Phone + 1 (914) 210-1483 info@ultrakpa.com

www.Ultrakpa.com