

KD3-N051F28iWA 5MP Network IR WDR Eyeball Dome Camera



DESCRIPTION

The KD3-N051FxxiWA one of Ultrakpa professional network dome cameras; it incorporates a 5MP 1/2.7-type CMOS image sensor providing smooth, 5MP (2592x1944/20fps), outstanding crisply detailed vibrant images with extremely low noise making it ideal for professional video security and surveillance applications via intelligent detection: intrusion and tripwire; in addition to various detection modes (video tampering, illegal access, network disconnection, voltage detection, no SD card, SD card full, SD card error, IP conflict)

The KD3-N051FxxiW A cameras support massive features such as smart motion detection, triple streaming capability, image flip, wide dynamic range, backlight compensation, highlight compensation, day and night (ICR), 3D digital noise reduction, privacy masking for 4 positions, smart IR for 50 meters distance in low luminance or totally dark environments ensuring that every detail is seen clearly

The KD3-N051FxxiWA cameras provide high quality image with ultra low bit rate H.264+ and H.265+ video compressions; coming in weatherproof IP67 outdoor compact enclosure with 12V DC and POE operations; support 256 GB micro SD card and built in microphone

MAIN APPLICATIONS

- Professional Video Surveillance Applications in medium sized rooms, offices, meeting rooms that requires high resolution, long IR distance, intelligent analysis and audio functions
- Indoor and Outdoor Applications thanks to the small size compact decorative design and the IP67 Ingress Protection

MAIN FEATURES

- **5MP 1/2.7" CMOS sensor**
- **2592x1944@20fps**
- **Day & Night (ICR)**
- **WDR (120 dB), HLC, BLC**
- **Digital Noise Reduction (3D)**
- **Privacy Mask Function**
- **Support up to 256GB SD Card**
- **Various Detection Modes**
- **Intelligent Analysis**
- **Triple Streaming**
- **Digital Watermark**
- **Region of Interest**
- **H.264+/H.265+ Compressions**
- **Smart IR LED (50m)**
- **Image Flip**
- **12VDC/POE**
- **ONVIF Compliant**
- **IP67**

KD3-N051F28iWA 5MP Network IR WDR Eyeball Dome Camera

TECHNICAL SPECIFICATIONS

CAMERA

| | |
|--------------------|----------------------------------------------------------------------------------------------------------------------------------|
| Image Sensor | 1/2.7" 5MP Progressive CMOS Sensor |
| Active Pixels | 2592(H) x 1944(V) = 5.04M Pixels |
| Frame Rate | Main Stream: 2592x1944@1fps-20fps 2688x1520@1fps-30/25fps Sub Stream: D1@1fps-30/25fps Third Stream: 720p@1fps-30/25fps |
| Min Illumination | 0.005lux @F1.6 |
| IR Control | Manual/Auto |
| IR Distance | 50 meters (164ft) |
| Pan/Tilt /Rotation | Horizontal 0°-360° Vertical 0°-78° Rotation 0°-360° |

LENS

| | |
|----------------------|--------------------|
| Lens Type | Fixed |
| Focal Length | 2.8mm |
| Max. Aperture | F1.6 |
| Close Focus Distance | 0.9m (3ft) |
| Angle Of View | 2.8mm 130° 98° 72° |
| D, H,V | 3.6mm 106° 80° 59° |
| | 6mm 64° 50° 36° |

VIDEO

| | |
|----------------------|--------------------------------------------------------------------------------------------------------------------------------------------------------|
| Video Compression | H.265, H.264, H.264H, H.264B, MJPEG |
| Smart CODEC | Available |
| Stream Capability | Triple Streaming |
| Resolution | 5M(2592x1944), 4M(2688x1520), 3M(2304x1296), 1080p(1920x1080), 1.3M(1280x960), 720P(1280x720), D1(704x576/480), VGA (640x480), CIF (352x288/240) |
| Bit Rate Control | CBR/VBR |
| Video Bit Rate | H.264: 3-8192Kbps, H.265: 3-8192Kbps |
| Intelligent Analysis | Tripwire, Intrusion (Recognition of human and vehicle) |

CAMERA FUNCTIONS

| | |
|--------------------------|------------------------------------------------------------------|
| Day & Night | Auto(ICR) / Color / B/W |
| WDR | WDR (120dB) |
| BLC | Available |
| HLC | Available |
| DNR | 3D |
| Privacy Mask | Off / On (4 positions) |
| Gain Control | Manual/Auto |
| White Balance | Auto /Natural /Street Lamp / Outdoor / Manual Regional Custom |
| Motion Detection | Off / On (4 positions) |
| Region of Interest | Available (4 positions) |
| Electronic Shutter Speed | Auto/Manual 1/3-1/100000 sec |
| Smart IR | Available |
| Mirror | Available |
| Built in Microphone | Available |
| Audio Compression | G.711a, G.711Mu, G.726, AAC |

NETWORK

| | |
|------------------|--------------------------------------------------------------------------------------------------|
| Network | RJ-45 (10/100Base-T) |
| Users | Up to 20 (Total Bandwidth 64M) |
| Protocol | IPv4, IPv6, HTTP, TCP, UDP, ARP, RTP, RTSP, RTCP, SMTP, FTP, DNS, DDNS, QoS, UPnP, NTP, PPPoE |
| Browser | IE, Chrome, Firefox |
| Scene Adjustment | Available |
| Mobile Phone | IOS, Android |
| Compatibility | ONVIF (Profile S, Profile G), CGI, Gentec, P2P, Milestone |

ENVIRONMENT

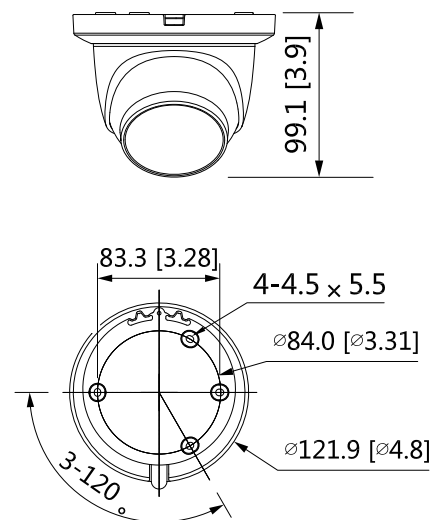
| | |
|-----------|----------------------------------------------------------|
| Storage | -40°C to +60°C, -40°F to 140°F |
| Operation | -40°C to +60°C, -40°F to 140°F |
| Humidity | 80%RH (non condensing) less than 95% (non condensing) |
| Altitude | 3000 meter maximum, 10,000 feet maximum |

GENERAL

| | |
|--------------------|-----------------------|
| Power Source | DC12V / POE (802.3af) |
| Power Consumption | 8.1W |
| Ingress Protection | IP67 |
| Weight | 0.48Kg |

DIMENSIONS

Unit : mm



Conversion: 1" = 25.4mm
Measurement conversions are approximate



Every effort has been made to ensure that all the information in this document was correct at the time of going to press. However we are constantly striving to improve our range wherever possible and therefore reserve the right to change the specification of any product without prior notice

R&D is constantly improving our products therefore specifications, features and appearance are subjected to change without notice

ULTRAKPA

For USA, Canada, South America, Europe, Africa & Middle East - info@ultrakpa.com

ULTRAKPA Inc

Astoria, NY 11103, U.S.A

Phone +1 (914) 210-1483 info@ultrakpa.com

www.Ultrakpa.com