

## KD3-N051F36iWA 5MP Network IR WDR Eyeball Dome Camera



### DESCRIPTION

The KD3-N051FxxiWA one of Ultrakpa professional network dome cameras; it incorporates a 5MP 1/2.7-type CMOS image sensor providing smooth, 5MP (2592x1944/20fps), outstanding crisply detailed vibrant images with extremely low noise making it ideal for professional video security and surveillance applications via intelligent detection: intrusion and tripwire; in addition to various detection modes (video tampering, illegal access, network disconnection, voltage detection, no SD card, SD card full, SD card error, IP conflict)

The KD3-N051FxxiW A cameras support massive features such as smart motion detection, triple streaming capability, image flip, wide dynamic range, backlight compensation, highlight compensation, day and night (ICR), 3D digital noise reduction, privacy masking for 4 positions, smart IR for 50 meters distance in low luminance or totally dark environments ensuring that every detail is seen clearly

The KD3-N051FxxiWA cameras provide high quality image with ultra low bit rate H.264+ and H.265+ video compressions; coming in weatherproof IP67 outdoor compact enclosure with 12V DC and POE operations; support 256 GB micro SD card and built in microphone

### MAIN APPLICATIONS

- Professional Video Surveillance Applications in medium sized rooms, offices, meeting rooms that requires high resolution, long IR distance, intelligent analysis and audio functions
- Indoor and Outdoor Applications thanks to the small size compact decorative design and the IP67 Ingress Protection

### MAIN FEATURES

- **5MP 1/2.7" CMOS sensor**
- **2592x1944@20fps**
- **Day & Night (ICR)**
- **WDR (120 dB), HLC, BLC**
- **Digital Noise Reduction (3D)**
- **Privacy Mask Function**
- **Support up to 256GB SD Card**
- **Various Detection Modes**
- **Intelligent Analysis**
- **Triple Streaming**
- **Digital Watermark**
- **Region of Interest**
- **H.264+/H.265+ Compressions**
- **Smart IR LED (50m)**
- **Image Flip**
- **12VDC/POE**
- **ONVIF Compliant**
- **IP67**

## KD3-N051F36iWA 5MP Network IR WDR Eyeball Dome Camera

### TECHNICAL SPECIFICATIONS

#### CAMERA

Image Sensor	1/2.7" 5MP Progressive CMOS Sensor		
Active Pixels	2592(H) x 1944(V) = 5.04M Pixels		
Frame Rate	Main Stream: 2592x1944@1fps-20fps 2688x1520@1fps-30/25fps Sub Stream: D1@1fps-30/25fps Third Stream: 720p@1fps-30/25fps		
Min Illumination	0.005lux @F1.6		
IR Control	Manual/Auto		
IR Distance	50 meters (164ft)		
Pan/Tilt /Rotation	Horizontal 0°~360° Vertical 0°~78° Rotation 0°~360°		

#### LENS

Lens Type	Fixed			
Focal Length	3.6mm			
Max. Aperture	F1.6			
Close Focus Distance	1.6m (5.3ft)			
Angle Of View	2.8mm	130°	98°	72°
D, H,V	3.6mm	106°	80°	59°
	6mm	64°	50°	36°

#### VIDEO

Video Compression	H.265, H.264, H.264H, H.264B, MJPEG		
Smart CODEC	Available		
Stream Capability	Triple Streaming		
Resolution	5M(2592x1944), 4M(2688x1520), 3M(2304x1296), 1080p(1920x1080), 1.3M(1280x960), 720P(1280x720), D1(704x576/480), VGA (640x480), CIF (352x288/240)		
Bit Rate Control	CBR/VBR		
Video Bit Rate	H.264: 3~8192Kbps, H.265: 3~8192Kbps		
Intelligent Analysis	Tripwire, Intrusion (Recognition of human and vehicle)		

#### CAMERA FUNCTIONS

Day & Night	Auto(ICR) / Color / B/W
WDR	WDR (120dB)
BLC	Available
HLC	Available
DNR	3D
Privacy Mask	Off / On (4 positions)
Gain Control	Manual/Auto
White Balance	Auto /Natural /Street Lamp / Outdoor / Manual Regional Custom
Motion Detection	Off / On (4 positions)
Region of Interest	Available (4 positions)
Electronic Shutter Speed	Auto/Manual 1/3~1/100000 sec
Smart IR	Available
Mirror	Available
Built in Microphone	Available
Audio Compression	G.711a, G.711Mu, G.726, AAC



Every effort has been made to ensure that all the information in this document was correct at the time of going to press. However we are constantly striving to improve our range wherever possible and therefore reserve the right to change the specification of any product without prior notice

R&D is constantly improving our products therefore specifications, features and appearance are subjected to change without notice

## ULTRAKPA

For USA, Canada, South America, Europe, Africa & Middle East - info@ultrakpa.com

#### NETWORK

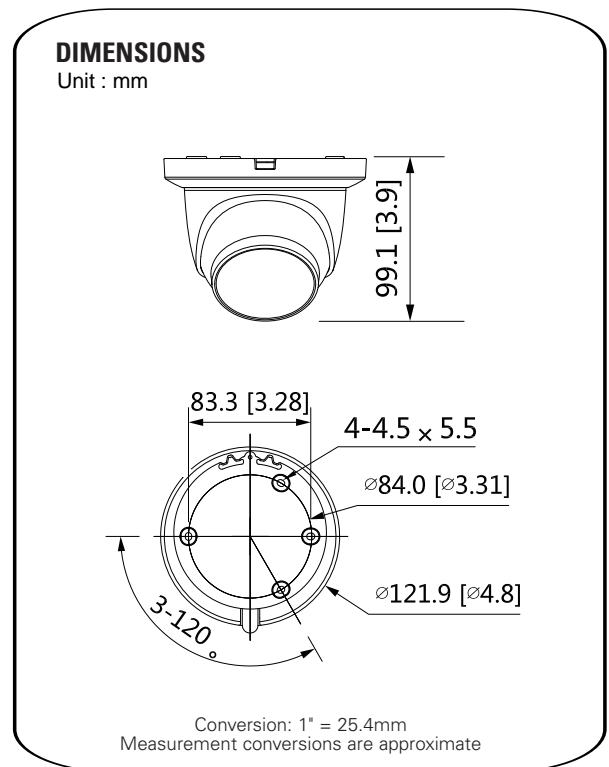
Network	RJ-45 (10/100Base-T)
Users	Up to 20 (Total Bandwidth 64M)
Protocol	IPv4, IPv6, HTTP, TCP, UDP, ARP, RTP, RTSP, RTCP, SMTP, FTP, DNS, DDNS, QoS, UPnP, NTP, PPPoE
Browser	IE, Chrome, Firefox
Scene Adjustment	Available
Mobile Phone	IOS, Android
Compatibility	ONVIF (Profile S, Profile G), CGI, Gentec, P2P, Milestone

#### ENVIRONMENT

Storage	-40°C to +60°C, -40°F to 140°F
Operation	-40°C to +60°C, -40°F to 140°F
Humidity	80%RH (non condensing) less than 95% (non condensing)
Altitude	3000 meter maximum, 10,000 feet maximum

#### GENERAL

Power Source	DC12V / POE (802.3af)
Power Consumption	8.1W
Ingress Protection	IP67
Weight	0.48Kg



**ULTRAKPA Inc**

Astoria, NY 11103, U.S.A

Phone +1 (914) 210-1483 info@ultrakpa.com

www.Ultrakpa.com